



Continuously reducing micro-burdens

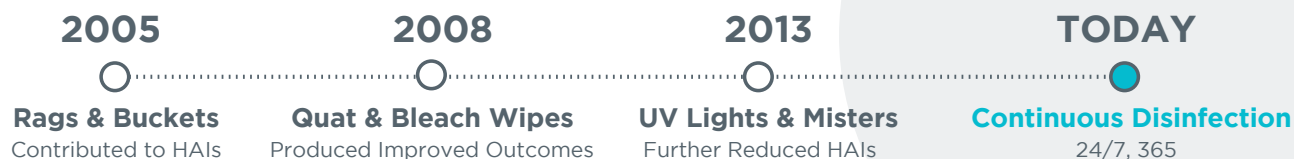
**EVERY SURFACE  
EVERY SECOND,  
EVERYWHERE.**



4155 S ROBERT TRL  
SAINT PAUL MN 55123  
info@dakotasafety.com

Phone / Fax: 866-503-7245

# The Evolution of Environmental Disinfection in the Fight Against HAIs



## Healthcare-Associated Infections (HAIs)

Approximately 1.7 million Healthcare-Associated Infections (HAIs) occur in U.S. hospitals each year resulting in 99,000 deaths. The direct cost from HAIs to hospitals has been reported in the range from \$28-\$45 billion.

## Relationship Between Micro-Burdens & HAIs

Research demonstrates that 89% of HAIs occur in rooms with a burden of more than 500 colony-forming units (CFUs)/100cm.



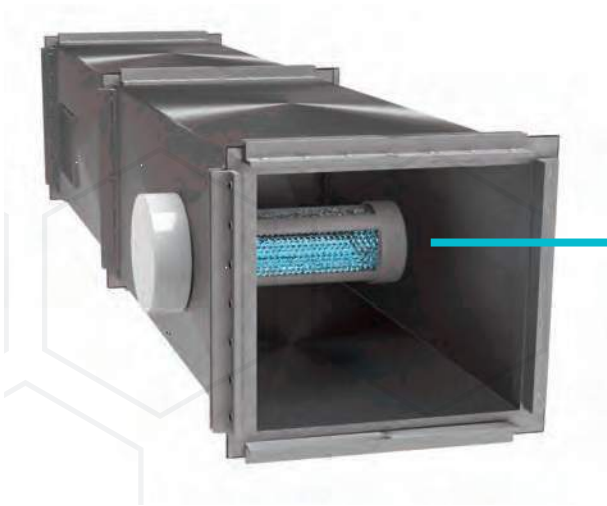
4155 S ROBERT TRL  
SAINT PAUL MN 55123  
info@dakotasafety.com

Phone / Fax: 866-503-7245

# Meet CASPR.

CASPR is an innovative no-touch disinfection technology that works without an operator to provide continuous reduction of micro-burdens facility-wide. Proven in independent lab test to effectively reduce clinically relevant pathogens like **MRSA**, **Norovirus**, **Aspergillus Niger**, **VRE**, **C. difficile** and more, before they spread

- Safe to use in occupied spaces
- Works on all surfaces, including floors
- No operator or maintenance required
- Affordable for facility-wide use
- Strategic enough for unit specific targeting



Easily & affordably installed in your existing HVAC

## Hospital Results

Installed and studied in multiple hospital trials, CASPR has demonstrated the ability to reduce average bacterial and fungal micro-burdens by up to **80%** while significantly eliminating the incidence of **MRSA** and **VRE**, reducing HAIs. In the ICU of a 532-bed hospital, CASPR contributed to a reduction in employee absenteeism.

*You couldn't ask for anything better. **CASPR** is continuous disinfection. You don't have to have the staff involved because it is no-touch. It is completely automated.*

**-LORI TOWNSEND**

MSN, CIC, CPHQ  
Infection Prevention, St. Luke's



4155 S ROBERT TRL  
SAINT PAUL MN 55123  
info@dakotasafety.com

Phone / Fax: 866-503-7245

# No-Touch Technology That's **Truly** No Touch.

No operator required, no training hospital staff, and no more moving machines or delaying use of clinical areas. CASPR's highly effective oxidizing molecules are generated continuously at low levels safe enough for occupied spaces and well below **NIOSH** and **OSHA** standards.

CASPR works continuously behind the scenes providing an added layer of protection, hospital-wide. With the ability to treat not only patient rooms, but nurses' stations, hallways, cafeterias, waiting rooms, administrative areas, and more, CASPR protects you, your staff, and your patients as soon as they enter your healthcare facility.



## The **Continuous** Disinfecting Difference

	<b>CASPR Medik™</b>	<b>Ultraviolet Lights</b>	<b>Hydrogen Misters</b>
Proven effective against a broad spectrum of clinically relevant pathogens	<b>YES</b>	Yes	Yes
Continuous pathogen reduction	<b>YES</b>	No	No
Safe to use in occupied spaces	<b>YES</b>	No	No
No disruption or delayed access to clinical areas	<b>YES</b>	No	No
Continuously eliminates odors	<b>YES</b>	No	No
No operator required (truly "No-Touch")	<b>YES</b>	No	No
No capital expenditure	<b>YES</b>	No	No
No sensitive use parameters	<b>YES</b>	No	No



Contact us today to schedule a baseline test of your environment.

CASPRgroup.com | info@CASPRgroup.com | 1 (469) 249-3373

<sup>1</sup>R. Douglass Scott II, *Economist* 2009 March *The Direct Media Cost of Healthcare-Associated Infections in U.S. Hospitals and the Benefits of Prevention*

<sup>2</sup> Salgado CD, et al, *ICHE* 2013;34:479-86

<sup>3</sup> Lab results available on request



4155 S ROBERT TRL  
SAINT PAUL MN 55123  
info@dakotasafety.com

Phone / Fax: 866-503-7245