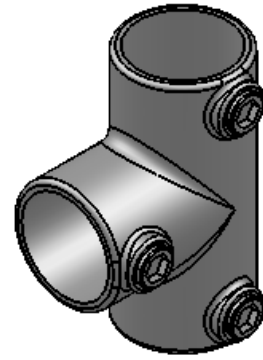


1063.32
4-WAY WITH CENTER TUBE



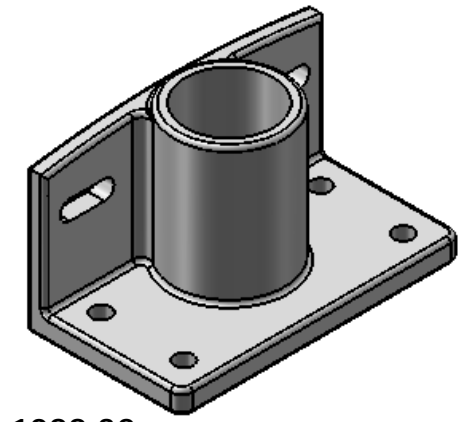
1049.32
LONG TEE



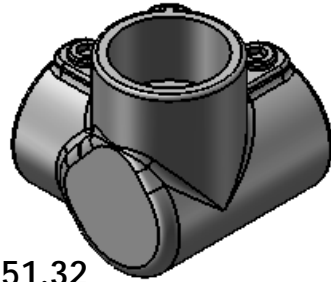
1054.32
STRAIGHT SLEEVE



1075.32
ALTERNATE MALE SWIVEL



1088.32
BASE FLANGE W/ TBB



1051.32
3-WAY BLIND CORNER



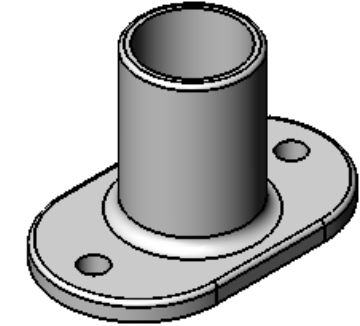
1048.32
SHORT TEE



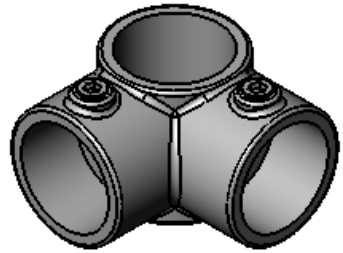
1064.32
SHORT TEE SWIVEL



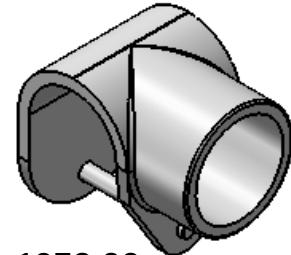
1074.32
SINGLE FEMALE SWIVEL



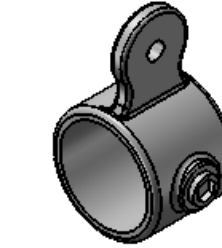
1050.32
BASE FLANGE



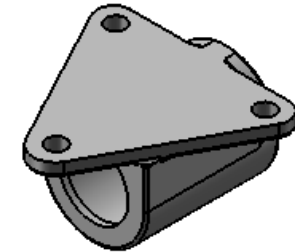
1052.32
3-WAY OPEN CORNER



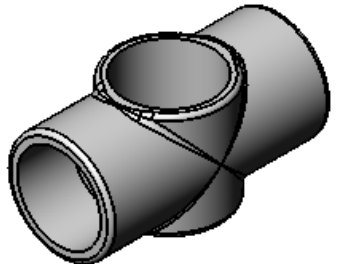
1079.32
CLAMP ON TEE



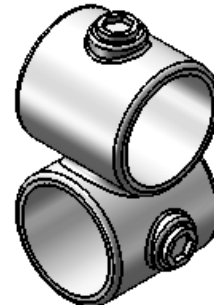
1073.32
SINGLE MALE SWIVEL



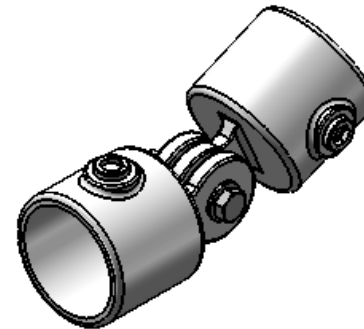
1060.32
WALL FLANGE



1053.32
SHORT CROSS



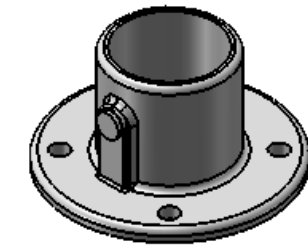
1078.32
CROSS OVER



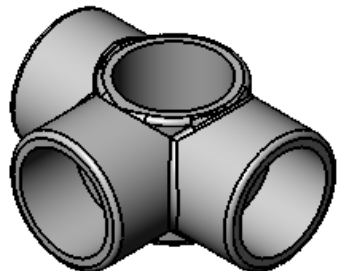
1089.32
INLINE SWIVEL KIT



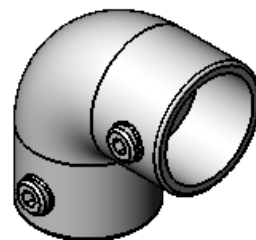
1080.32
SINGLE SWIVEL KIT



1058.32
BASE FLANGE



1062.32
SIDE OUTLET TEE



1047.32
90 DEGREE ELBOW

PART NUMBERS SHOWN FOR 1-1/4" PIPE (1.66 OD)
FOR 1-1/2" PIPE (1.90 OD) SUBSTITUTE .40 IN PLACE OF .32



4155 S ROBERT TRL
SAINT PAUL MN 55123
info@dakotasafety.com

Phone / Fax: 866-503-7245